

RouteLink - Roadside Unit

Danlaw's RouteLink Roadside Unit (RSU) communicates between in-vehicle/mobile devices and transportation infrastructure, such as traffic controller equipment and backhaul networks. As the central member in C-V2X or DSRC systems, the RSU applications focus on safety and congestion management. RouteLink alerts drivers to adverse driving conditions, enables pre-emption for first responders, and grants signal priority to buses and service vehicles.

RouteLink utilizes the IEEE 1609 Wireless Access in Vehicular Environments (WAVE) standards to provide IPv6/IPv4 data to remote hosts, while broadcasting and receiving DSRC messages, as defined by SAE J2735, to mobile equipment. Locally, connections are provided for traffic controller equipment to be integrated in the system.

Features

Easy to install

On-board GPS for location services and synchronization

PoE with surge protection

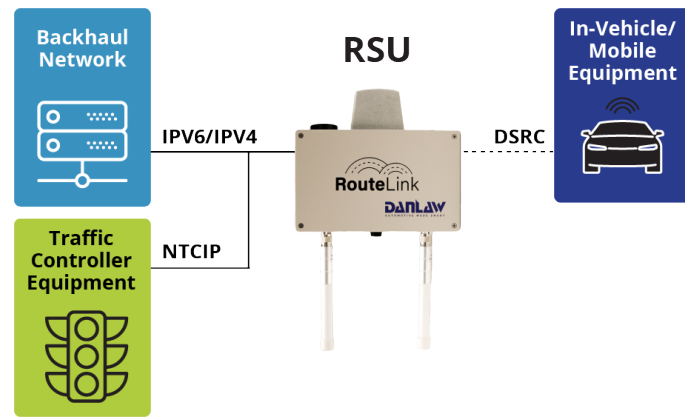
FCC Certified

Support for custom development

Remote management tool suite

Typical Message Support

- WSA broadcasts
- Traveler information messages
- Roadside alert
- SSM and SRM messages
- SPaT and MAP messages
- RTCM messages



Application Examples

Traffic Signal Coordination

Emergency Vehicle Management

Law Enforcement Systems

Traffic Monitoring and Control

Access and Parking Systems

Transit Signal Priority

Platooning

Eco-Speed Harmonization

Safety Application Examples

- Red light violation warning
- Traffic signal violation warning
- Reduced speed zone warning
- Curve speed warning
- Intersection movement assist
- Left turn assist

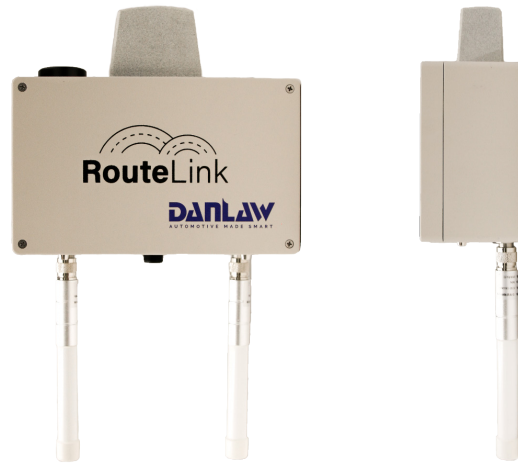


Roadside Unit

Product Specifications

| | |
|----------------------------------|----------------------------------------------------------------------------------------------------------|
| Dimensions | 10.5" x 7.5" x 3.5" |
| Temperature | -34°C to +74°C |
| Processor | 800 MHz, iMX6 Dual Core |
| Memory | 1 GB DDR RAM |
| Storage | 8 GB Flash |
| Interfaces | 2 x DSRC or C-V2X Radios, 1 x WiFi, 1 x Ethernet, 1 x Cellular |
| GPS | Location and time synchronization |
| Hardware Security Module (HSM) | Yes |
| Power Requirement | IEEE 802.3at POE |
| Enclosure | NEMA4X (IP66) rated |
| Antenna Connectors | 2 N-Type Female DSRC |
| LED Indicators | Power, Status |
| FCC Compliance | FCC, CFR 47 Part 90 |
| Traffic Controller Compatibility | Compatible with NTCIP compliant traffic controllers, plus custom options |
| Standard Support | IEEE 802.11p, IEEE 1609.2, IEEE1609.3, IEEE 1069.4, SAE J2735, NTCIP, SNMP, USDOT v4.1 RSU specification |
| Networking | IPv6 and IPv4 support, SSL, SSH, TLS |

Mounting Kit and PoE Injector sold separately.



Front View

Side View

Contact Us

Danlaw, Inc.

41131 Vincenti Court
Novi, Michigan 48375 USA
Tel: 1 (248) 476-5571
Fax: 1 (248) 471-4485
sales@danlawinc.com

All logos in this document are the property of their respective owners.

This document is provided for information purposes only and the contents hereof are subject to change without notice.

Danlaw reserves all rights to this document and the information contained herein. No warranty or guarantee of any kind, either express or implied, is made in relation to the accuracy, reliability fitness for a particular purpose or content of this document.

Related Products



AutoLink - V2X Aftermarket Safety Device

Danlaw's V2X Aftermarket Safety Device provides 360-degree situational awareness on the road and alerts drivers to potential hazards. Warning notifications will be sent to the driver through an LED display, infotainment system, or audio output.



Through Glass Antenna

Keep drivers safe on the road with Danlaw's dual-radio glass mounted antenna. The antenna is adjustable to most windshield angles and can be easily installed without drilling holes through the vehicle.